

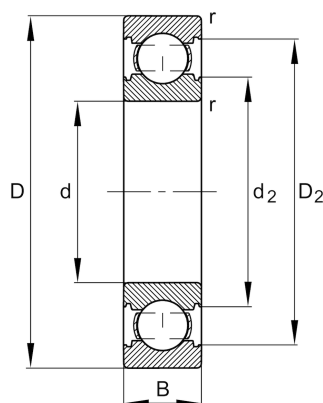
FAG

6004-C

Deep groove ball bearing

Schaeffler ID:
0951217570000Deep groove ball bearing 60..-C, single
row, Generation C, steel sheet metal cage

Technical information

**Dimensions**

r_{\min}	0.6 mm	Minimum chamfer dimension
D_2	37.4 mm	Caliber diameter outer ring
d_2	25.2 mm	Caliber diameter inner ring
	0.061 kg	Weight

Main Dimensions & Performance Data

d	20 mm	Bore diameter
D	42 mm	Outside diameter
B	12 mm	Width
C_r	10,600 N	Basic dynamic load rating, radial
C_{0r}	5,000 N	Basic static load rating, radial
C_{ur}	340 N	Fatigue load limit, radial
n_G	27,500 1/min	Limiting speed
n_{gr}	19,700 1/min	Reference speed

Mounting dimensions

$d_{a\min}$	23.2 mm	Minimum diameter shaft shoulder
$D_{a\max}$	38.8 mm	Maximum diameter of housing shoulder
$r_{a\max}$	0.6 mm	Maximum fillet radius

Calculation factors

f_0	13.8	Calculation factor
-------	------	--------------------

Temperature range

T_{\min}	-30 °C	Operating temperature min.
T_{\max}	120 °C	Operating temperature max.

